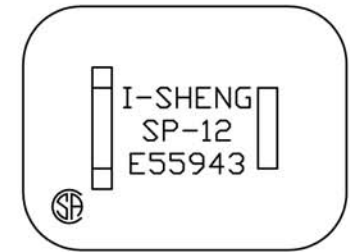
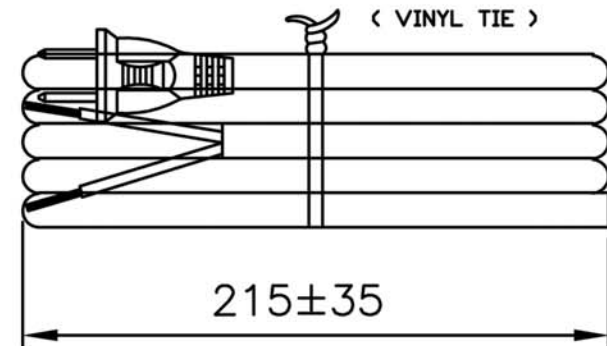


SEE "ITEM NO."
FOR LENGTH



NOTES:

1. PLUG NO: COX-18
MARK: COXOC COX-18
APPROVED: E147517
(BLADE MATERIAL: BARSS PLATING NICKEL
POLARIZED)
2. POWER WIRE:
C-UL (UL) SPT-2 E148006 VW-1 75°C 18AWG × 2C COXOC
JACKET COLOR: BLACK
3. THE END TO BE RIVED OFF 38mm.
4. JACKET TO BE STRIPPED BACK 15.9mm TO EXPOSE STRAND
COPPER AS SHOWN.



ITEM NO	AK500-OE-12-6F-R (1.83 M)
	AK500-OE-12-9F-R (2.74 M)
	AK500-OE-12-NP-9F-R (2.74 M, Non-Polarized)

TITLE	Power Cord, SPT-1.0 60C, Unshielded, 1.08AWG 2.0C, UL/CSA
-------	--

ASSMANN
Electronics, Inc.

1840 W. Drake Drive, Suite 101 - Tempe, AZ 85283

Toll Free: 1-877-277-6266 Email: info@usa-assmann.com

THIS DRAWING IS UNPUBLISHED
© Copyright 2008 by Assmann Electronic Components
All International Rights Reserved